

UNX 5030A

Application:

Entertainment Venue, Law Enforcement, Government Bodies, Exhibition Hall, Tourist Attractions, Shopping Mall, Churches, Museum, Office Building, Campus, Hotels, Factories, Sports Center, etc.

Product Features:

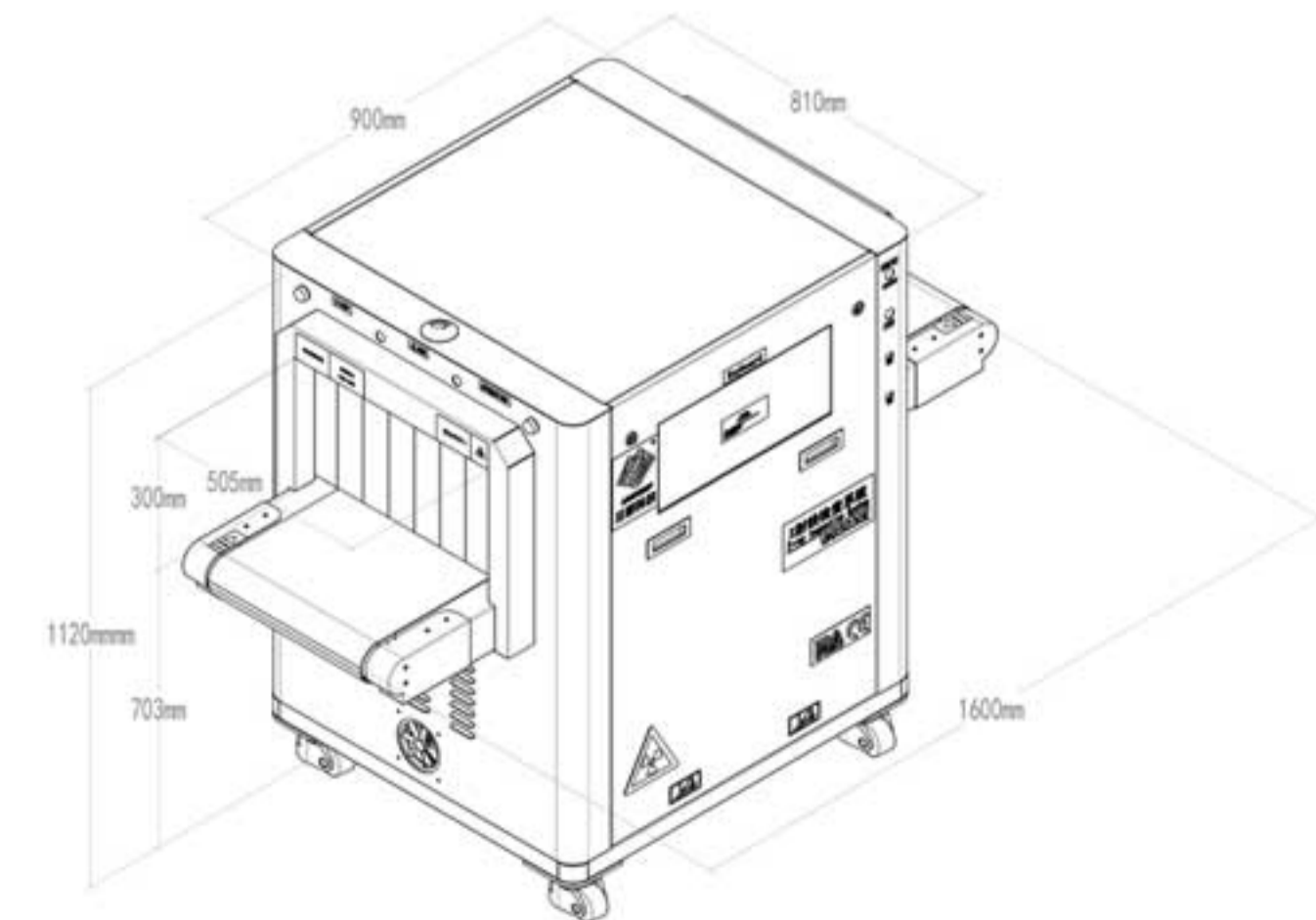
- Inspection Speed of 0.22m/s
- Steel penetration of 8mm
- Max. inspection object size of 500mm×300mm
- Remote technical support
- In compliance with international safety standards, X-ray dose rate is close to naturally occurring radiation
- Accurate material recognition: Orange for organic, blue for inorganic, green for metal and compound
- Affiliated explosives and narcotics detection enables auto-alert upon the presence of explosives and narcotics

www.unicomp.cn

Technical Specifications:

Public Single energy X-ray Scanner	
System Parameters	
Dimensions	1600mmx810mmx1120mm(L*W*H)
Tunnel Size	500x300mm
Weight	300kg
Conveyor Height	675±10mm
Inspection Speed	0.22m/s
Max. Load Weight	100kg
Resolution	40AWG(Typical) 34(Standard)
Penetration	10mm (Typical) 8mm (Standard)
Radiation Safety	Meets film safety ISO 1600
Radiation Leakage	< 0.4μGy/h (5cm away from the housing)
X-ray Generator	
Anode Voltage	80kV
Cooling•Cycle	Sealed Oil Cooling & 100%
Single Inspection Dose	< 1.0 μGy
Imaging System	
X-ray Detector	Photodiode
Gray Level	4096
Monitor	17"
Image Processing System	
Image Enhancement	*Black and white *Inverse *High-energy penetration *Low-energy penetration *Super-enhancement *Elimination of organic or inorganic substances *Variable absorption rate *Pseudo-color *Arbitrary selection (user selected ROI zoom) (64X image magnification/no loss of resolution)
Recognition	Orange for organic matter, blue for inorganic, green for metal and compound
Image Playback	50 inspected images could be replayed
Storage Capacity	No less than 100 thousand pieces of image
Additional Features	
*Date/time display *Baggage counter *User management *System operation clock	
Standard Functions	
*X-ray on clock *POST *Image storage & retrieval *Diagnosis & maintenance *Dual-scan *Image recognition training *Cloud data storage and analysis	
Optional Functions	
*High density area alarm *Explosives and drugs auxiliary examination *Dangerous goods image insertion	
Installation Requirements	
Operation/Storage Temperature	
0~40°C/-5~50°C	
Humidity	
10%~90% (No condensation)	
Power Supply	
220VAC±5% 50Hz/60Hz	

Machine Footprint:



Note: The above pictures and parameters for reference only, the actual quotation and sales contract shall prevail

www.unicomp.cn